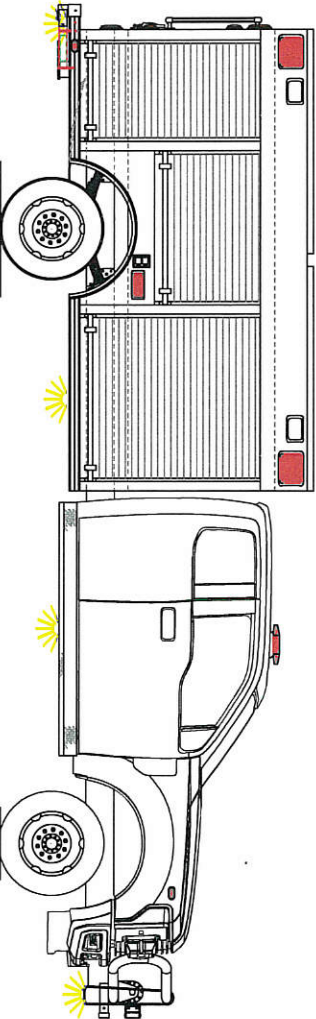
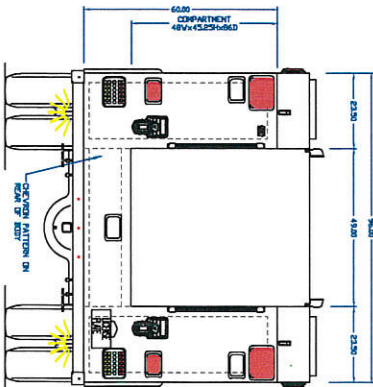
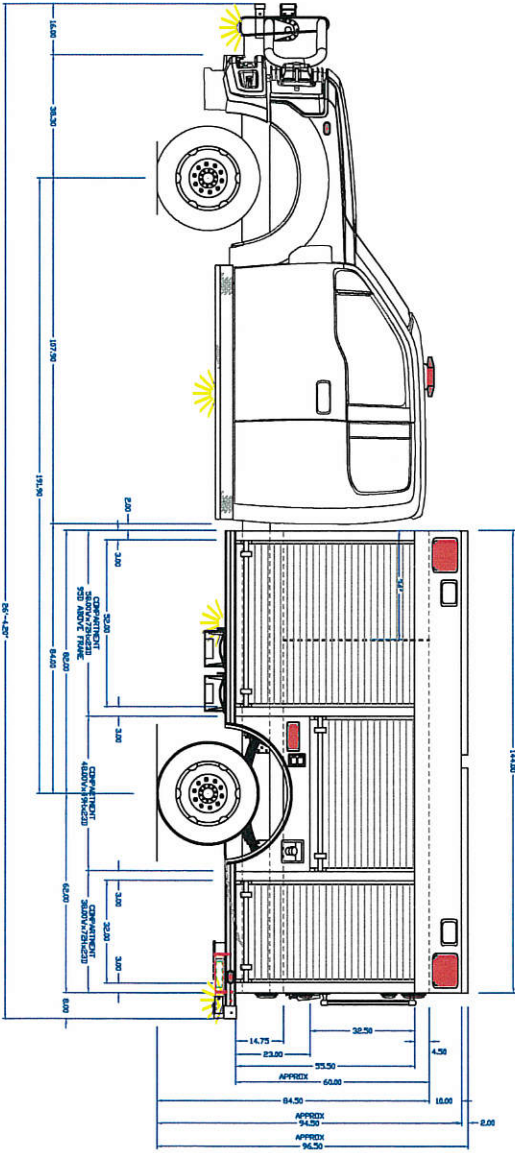
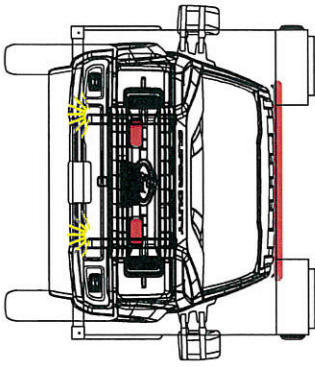


INITIALS: BH  
 JOB NUMBER: 21023  
 DATE: 1/29/2023

MAN FILE: -  
 DEPT: -  
 DEALER: -  
**PRODUCTION APPROVED**



- NOTES:
- OVERALL HEIGHT IS IN LOADED CONDITION. UNLOADED HEIGHTS MAY BE 4" ABOVE HEIGHTS SHOWN.
  - DO NOT SCALE DRAWING.
  - ALL DIMENSIONS ARE APPROXIMATE AND SUBJECT TO ENGINEERING CHANGES.
  - DRAWING MAY OR MAY NOT SHOW A PART AS APPEARING IN THE WRITTEN SPECIFICATIONS.
  - INCLUSION OF AN ITEM ON THE DRAWING DOES NOT CONSTITUTE INCLUSION OF THAT ITEM WITH THE FINAL DELIVERED UNIT.
  - THE EFFECTIVE DOOR OPENINGS WILL APPROX. 2" LESS THAN THE NOTED COMPARTMENT OPENING FOR ROLL UP MENSURED DOORS APPROX. 4" FOR HINGED DOORS

REVISED	MAN	DATE	10-22-22
ISSUED	MAN	DATE	06-16-21
REVISED	MAN	DATE	06-16-21
ISSUED	MAN	DATE	06-16-21

PROPRIETARY AND CONFIDENTIAL  
 THE INFORMATION CONTAINED IN THIS DRAWING IS  
 THE PROPERTY OF ROSENBAUER. REPRODUCTION OR  
 REUSE OF THIS INFORMATION IN ANY MANNER WITHOUT  
 THE WRITTEN PERMISSION OF ROSENBAUER IS  
 PROHIBITED.

APPROVED BY:

CHASSIS: FORD

PUMP: NA

TANK: NA

PANEL MATL: NA

COMP INTERIOR: SPATTER FINISH

MAXIMUM HEIGHT: NONE

MAXIMUM LENGTH: NONE

BODY WIDTH: 96"



ROSENBAUER MINI 1/1